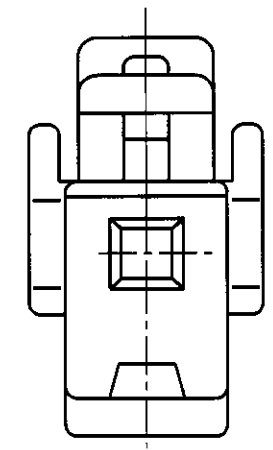
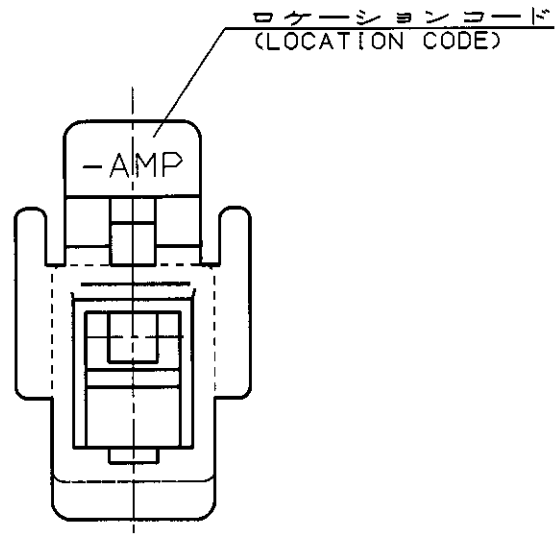
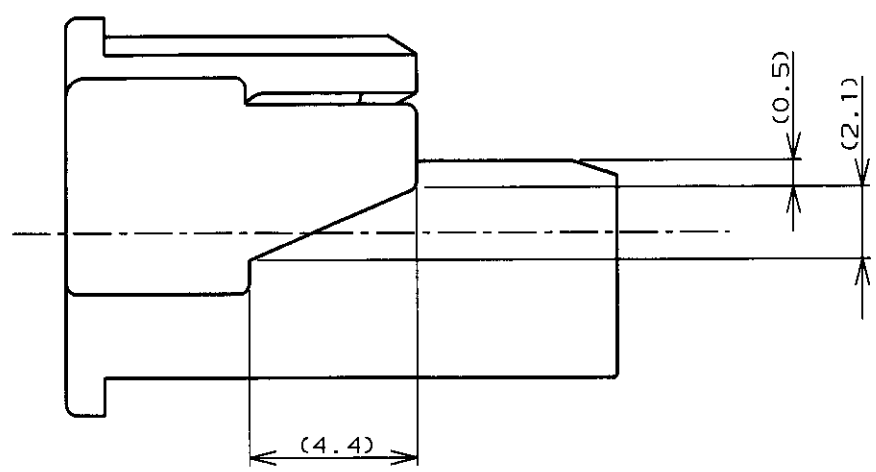
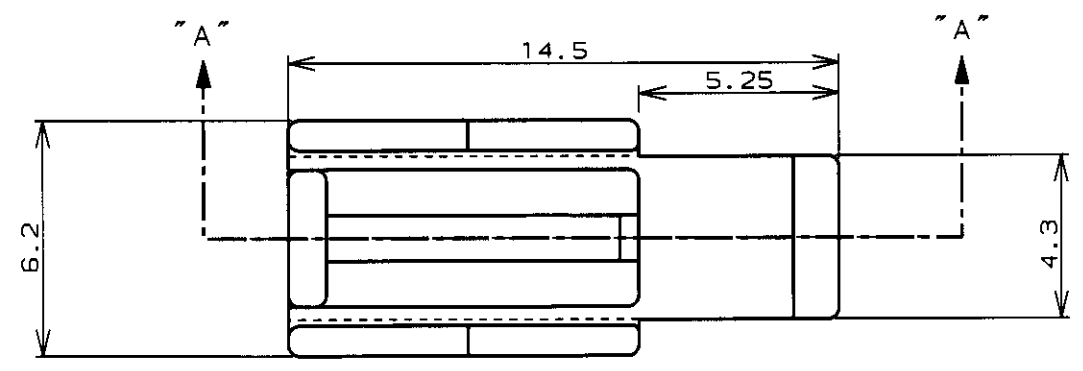
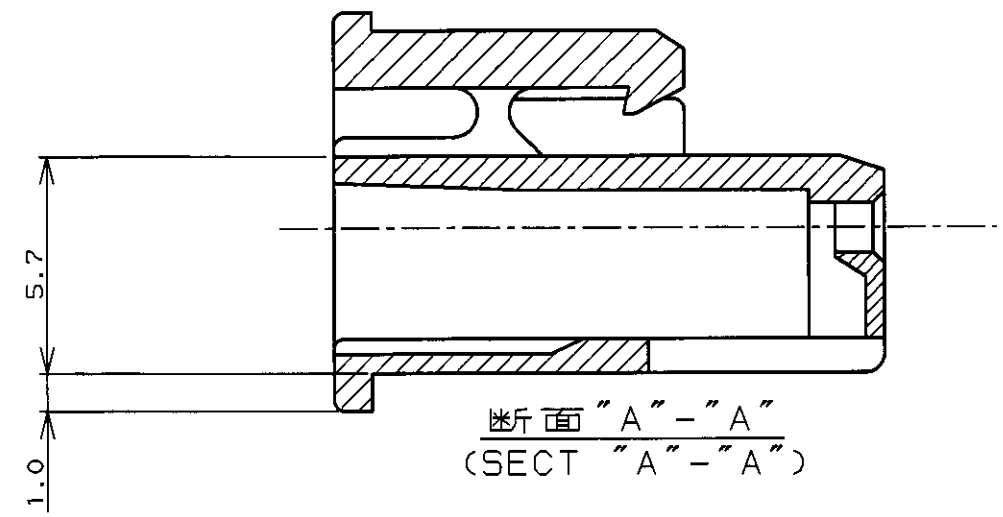


LOC	DIST	REVISIONS						
#	#	P	LTR	DESCRIPTION	ECN	DATE	DWN	APVD
		0		RELEASED	FJ00-1996-98	20 NOV '98	N.Y	M.S
		A		REVISED	FJ00-1229-99	21 Jul '99		



- 注記：
 1. 適用コンタクト型番：0-1123721-1
 2. 嵌合相手側製品型番：[]-1123824-[]
- NOTES;
 1. APPLICABLE CONTACT P/N: 0-1123721-1
 2. MATING CONN P/N: []-1123824-[]

黒 (BLACK)	5-1123823-1
赤 (RED)	4-1123823-1
青 (BLUE)	3-1123823-1
黄 (YELLOW)	2-1123823-1
自然色 (NATURAL)	1-1123823-1
色 (COLOR)	型番 (PART NUMBER)

THIS DRAWING IS A CONTROLLED DOCUMENT FOR AMP INCORPORATED. IT IS SUBJECT TO CHANGE AND THE CONTROLLING ENGINEERING ORGANIZATION SHOULD BE CONTACTED FOR THE LATEST REVISION.		DWN	20 NOV '98	日本エー・エム・ピー株式会社 Kawasaki, Japan
DIMENSIONS, 単位・概 mm		CHK	20 NOV '98	
TOLERANCES UNLESS OTHERWISE SPECIFIED 一般公差 10% ±0.2 30% ±0.25 100% ±0.3		APVD	20 NOV '98	
MATERIAL 材料 66 NYLON (UL94V-0) 66ナイロン (UL94V-0)		NAME 名称 N. YAMASAKI M. SHINDO M. SHINDO PRODUCT SPEC 108-5609 APPLICATION SPEC 取付適用規格 WEIGHT CUSTOMER DRAWING		ECONOMY POWER (EP) CONN. 1POS PLUG HOUSING エコノミ パワー (EP) コネクタ 1POS プラグハウジング
FINISH 仕上		SIZE CAGE CODE DRAWING NO 番号 A3 00779 C=1123823		RESTRICTED TO
SCALE 尺度 5:1		SHEET 1 OF 1		REV A